

ARTICULATING BOOM

HA 260 PX



- Continuous outreach control
- +70 / -70° fly jib.
- 507 lb (230 kg) platform capacity.
- Standard 4 wheel drive and 4 wheel steer.
- 17 in (42 cm) ground clearance.
- 40% gradeability.



HA 260 PX

Articulating boom

The Haulotte® advantages

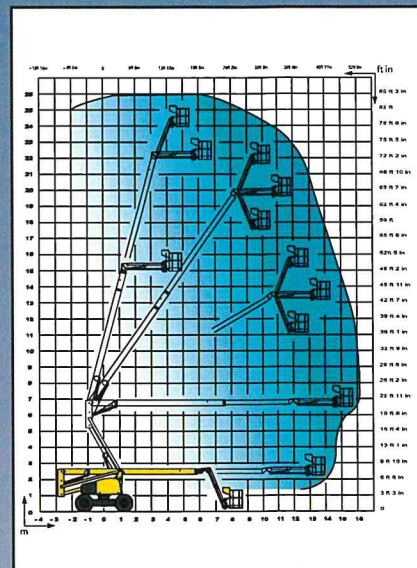
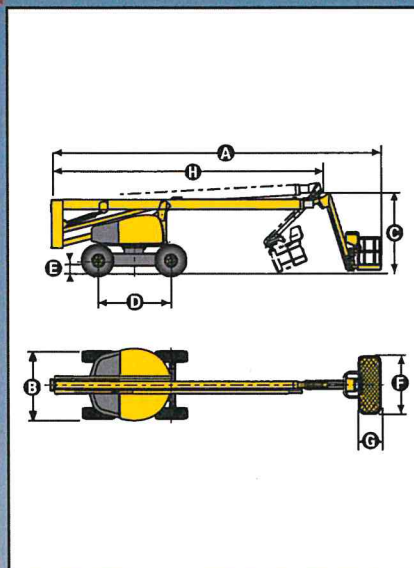
- Improved working area via a positive / negative articulating fly jib with 140° movement
- Hydraulic differential lock and 17 in (42 cm) ground clearance for improved rough terrain capability
- Continuous 360° turntable rotation
- Zero tailswing
- 180° hydraulic platform rotation
- Compact travel / transport dimensions
- Full proportional controls and simultaneous boom functions improve productivity
- 2.8 mph (4.5 km/h) travel speed
- Robust, reliable and easy to maintain design
- Improved security due to load limiter in the basket

STANDARD FEATURES

- 4 wheel drive and 4 wheel steer
- Load limiter in platform
- 220 V / 16 A power line to platform
- 5° tilt alarm
- Deutz air cooled diesel engine
- 12 V proportional controls at platform
- Battery electric emergency lowering system
- Free wheeling device
- Hourmeter
- Slewing block pin
- Towing hooks / lifting eyes
- 2 hooks for safety harness in platform

OPTIONS & ACCESSORIES

- Rotating beacon
- Flashing light
- Travel alarm
- Catalytic exhaust
- Hostile environment kit
- 2.44 m X 0.8 m / 8 ft x 2 ft 7 in large platform
- Sand tyres / Road tyres
- On-board 3,3 kW generator
- Encoded starting device
- Working light
- Hot countries kit / Cold countries kit



SPECIFICATIONS

| | | |
|-----------------------------------|--|----------------|
| Working height | 25.6 m | 84 ft 0 in |
| Platform height | 23.6 m | 77 ft 5 in |
| Horizontal outreach | 16.2 m | 53 ft 2 in |
| Up & over clearance | 6.8 m | 22 ft 4 in |
| Platform capacity | 230 kg | 507 lb |
| Fly jib range of motion | 140° (+70°/-70°) | |
| A Stowed length | 12 m | 39 ft 4 in |
| B Width | 2.38 m | 7 ft 10 in |
| C Stowed height | 2.67 m | 8 ft 9 in |
| D Wheelbase | 2.8 m | 9 ft 2 in |
| E Ground clearance | 42 cm | 17 in |
| F x G Platform size | 1.8 m x 0.8 m | 71 in x 31 in |
| H Travel/transport length | 9.50 m | 31 ft 2 in |
| Tailswing | 1.07 m | 3 ft 6 in |
| Drive speed | 0.45 - 4.5 km/h | 0.28 - 2.8 mph |
| Outside turning radius | 3.9 m | 12 ft 10 in |
| Turntable rotation (continuous) | 360° | |
| Hydraulic platform rotation | 180° | |
| Gradeability | 40% | |
| Engine | Diesel Deutz F4 L 2011 - 57 hp - 42 kW | |
| Tyres (foam filled) | 15 R 22 | |
| Hydraulic tank | 150 l | 40 gal |
| Fuel tank | 150 l | 40 gal |
| Weight | 15.950 kg | 35.170 lb |

AS 1418.10



HAULOTTE UK LTD • STAFFORD PARK 6 • TELFORD - SHROPSHIRE TF3 3AT • TEL: +44 (0)1952 292753 • FAX: +44 (0)1952 292758 • E-mail: haulotte@haulotte.co.uk
 HAULOTTE SCANDINAVIA AB • ARÖDS INDUSTRIVÄG 66 B • 422 43 HISINGS BACKA - SWEDEN • TEL: +46 31 744 32 90 • FAX: +46 31 744 32 99 • E-mail: hwallin@haulottese.com • www.haulottese.com
 HAULOTTE AUSTRALIA PTY LTD • 65 LICOLA CRES • DANDENONG - VIC - 3175 • TEL: +61 (0)3 9706 6787 • FAX: +61 (0)3 9706 6797 • E-mail: sales@haulotte.com.au
 HAULOTTE SINGAPORE PTE. LTD • 26 Changi North Road Way • SINGAPORE 498812 • TEL: +65 6536 3989 • FAX: +65 6536 3969 • E-mail: haulotteasia@haulotte.com

Haulotte 
GROUP

Haulotte Group - La Péronnière - BP 9 - 42152 l'Horme - France • Tél : +33 (0)4 77 29 24 24 - Fax : +33 (0)4 77 29 43 95
 e.mail - haulotte@haulotte.com • web : http://www.haulotte.com