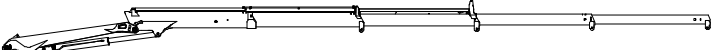
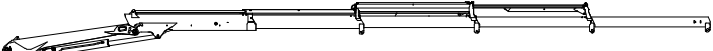



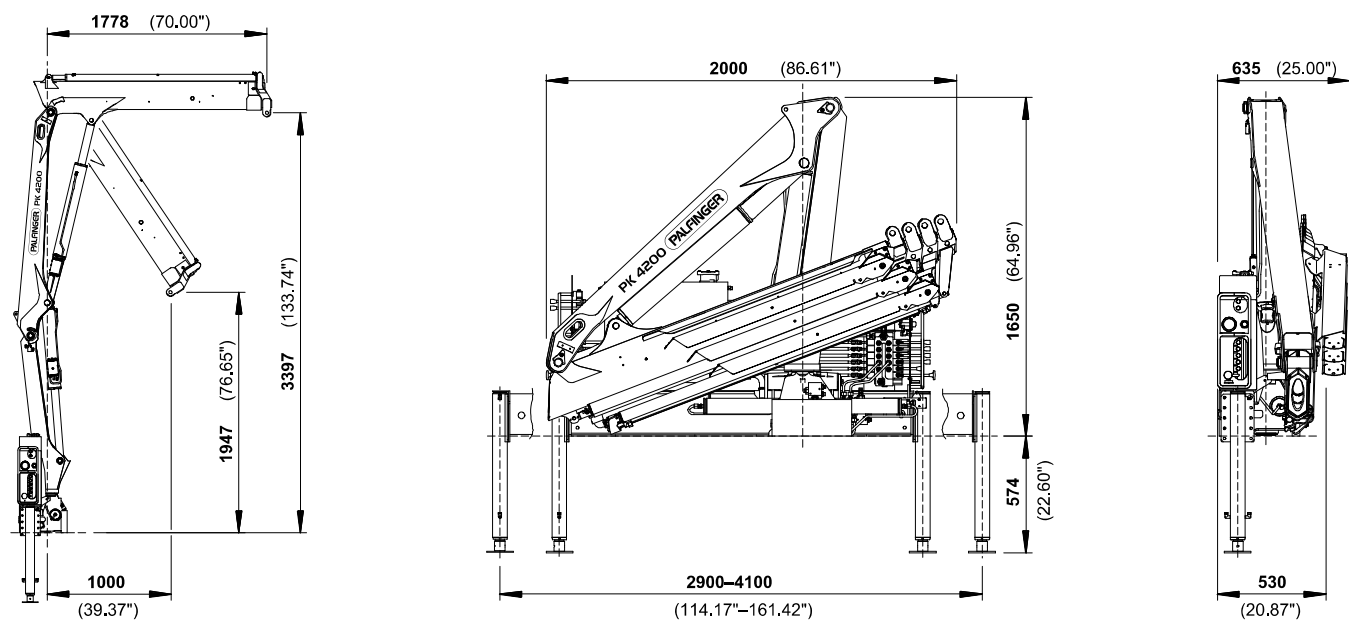
# PK 4200

# PERFORMANCE

## EXTENSION BOOM VARIATIONS

							<b>STD</b>
m		<u>3.3</u>	<u>4.8</u>				
kg	max. 990	990	820				
							<b>A - V1, V2</b>
m		<u>3.4</u>	<u>4.9</u>	<u>6.4</u>	<u>8.0</u>	<u>9.6</u>	
kg	max. 990	990	760	550	440	350	
							<b>B - V1</b>
m		<u>3.5</u>	<u>4.9</u>	<u>6.5</u>	<u>8.0</u>	<u>9.6</u>	
kg	max. 990	990	710	500	420	330	
							<b>C</b>
m		<u>3.6</u>	<u>5.0</u>	<u>6.6</u>	<u>8.1</u>	<u>9.7</u>	
kg	max. 990	990	660	460	370	300	

## DIMENSIONS



## Technical specifications

### EN 12999 H1-B3

Max. lifting moment	3.9 mt/38.3 kNm	28220 ft.lbs
Max. lifting capacity	990 kg/9.7 kN	2180 lbs
Max. hydraulic outreach	9.8 m	32' 2"
Max. manual outreach	9.8 m	32' 2"
Slewing angle	370°	
Slewing torque	0.40 mt/3.9 kNm	2890 ft.lbs
Stabilizer spread (std./max.)	2.9 m/9' 6"	4.1 m/13' 5"
Fitting space required (std.)	0.53 m	1' 9"
Width folded	1.90 m	6' 3"
Max. operating pressure	250 bar	3625 psi
Recommended pump capacity	15 l/min	4.0 US gal./min
Dead weight (std.)	491 kg	1080 lbs

